

# SMART RAINWATER SYSTEM

## Description

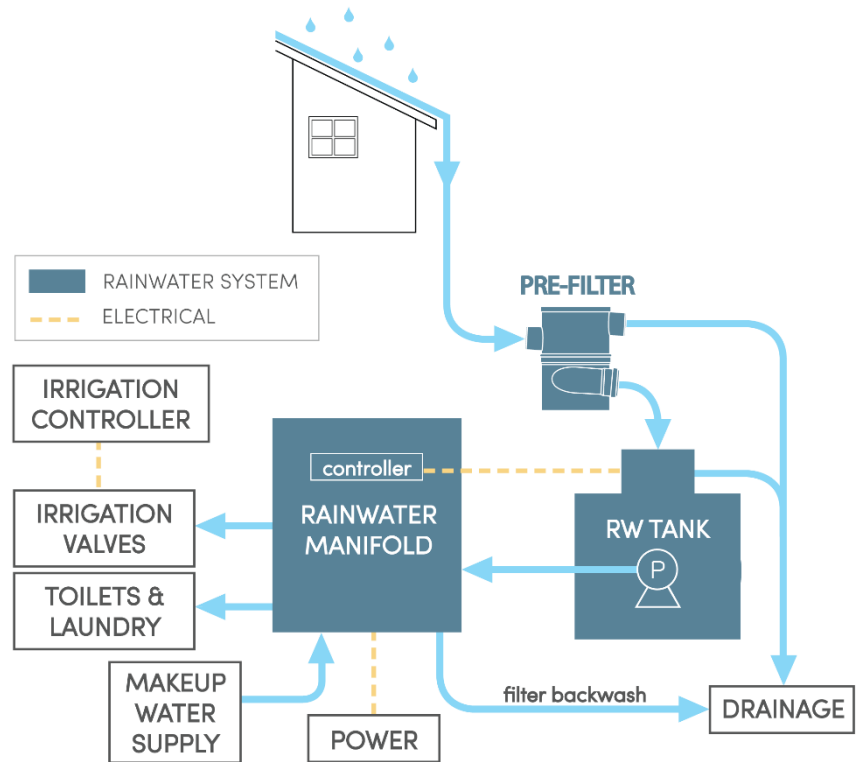
The Smart Rainwater System collects rainwater from a house or building and supplies filtered rainwater to the landscape drip irrigation system, with optional toilet & laundry supply. A complete solution for the water-wise landscape, the system can save tens of thousands of gallons a year! The Smart Rainwater System is easy to install and is ideal for renovation or new construction projects.

## Applications

- Residential
- Light commercial
- Large irrigation systems

## Features

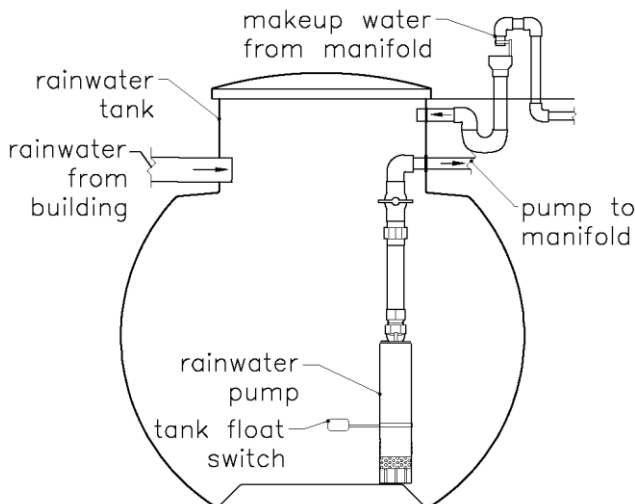
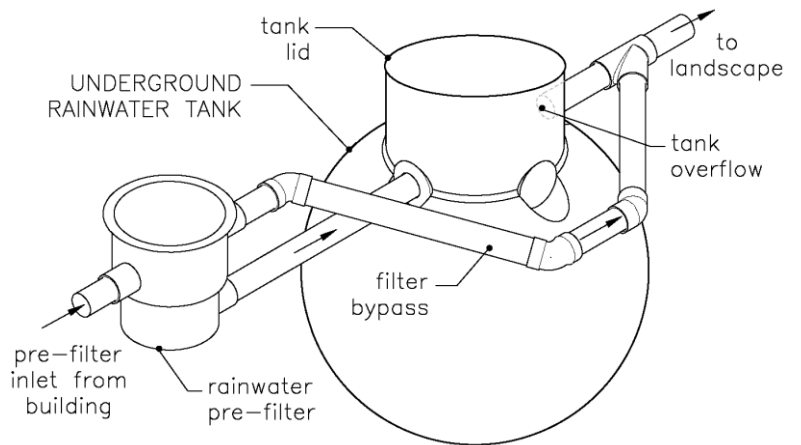
- **Proven Track Record:** 15 years of R & D with hundreds of successful installations.
- **Plug & Play Installation:** Rainwater Manifold is factory built. Simply connect water, power, plug in the controller and you are ready to go!
- **Seamless Irrigation Integration:** Operates the same as a traditional irrigation system and is compatible with standard irrigation system equipment.
- **Smart Controller Compatible:** Works with all irrigation controllers, including smart controllers.
- **Greywater Ready:** Can incorporate another water source like greywater or well water. Ask us more.
- **Low Maintenance Requirements:** Only once a year maintenance visit required!
- **Fully Automated Functionality:** No user involvement is required for system operation.
- **Clog-Free Filtration:** Rainwater irrigation filter is automatically cleaned to reduce maintenance.
- **Complete Water Monitoring:** Keep track of the system water savings and irrigation flow rates.
- **Smart System Diagnostics/Alarms:** Receive system performance notifications on the Rainwater Controller.
- **California Code Ready:** Fully compliant with California Plumbing Code for Rainwater.
- **Advanced Monitoring: (Optional)** Upgrade to see water savings on an internet dashboard in real time!



## How It Works

### 1 Rainwater Collection

Rainwater from the building drains to an underground pre-filter which removes particles larger than 350-microns. Filtered rainwater then flows into the underground tank for long term storage. If the pre-filter is clogged or the tank is full, rainwater flows out to the landscape.



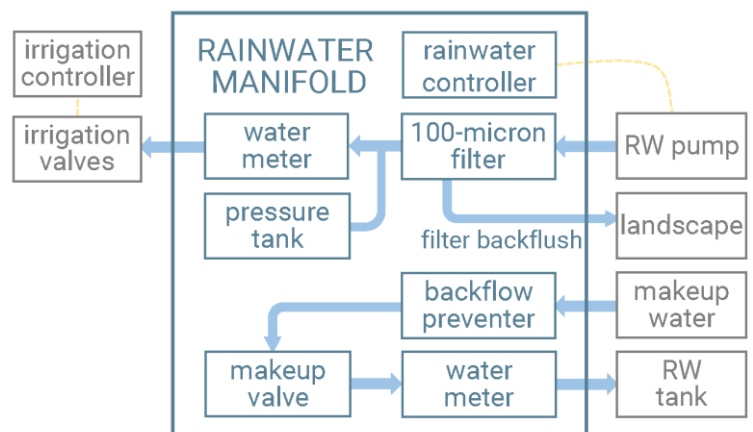
### Rainwater Tank

Rainwater storage size can vary from 1.8K-100K gallons, based on project needs. A pump in the tank sends the rainwater to Rainwater Manifold. If the tank is near empty, makeup water is added to the tank to ensure a constant supply of water.

### 2

### 3 Rainwater Manifold

Rainwater is pumped to the Manifold and passes through an additional 100-micron filter before being supplied to the irrigation system. The Rainwater Controller mounted on the Manifold automates the rainwater system.



# Rainwater Filtration Manifold

## Overview

The manifold is delivered as a pre-built turnkey system to the project. Simply connect water piping and power and the system is ready to supply a constant pressure of 45 PSI minimum at a maximum flow rate of 15 GPM to the irrigation system.

## Rainwater Controller

The Rainwater Controller automates the entire system and provides a LCD screen for programming and displaying system information like alarms and water-use.

## Rainwater Filter

Rainwater supplied to irrigation is filtered through a 100-micron filter. The filter is automatically backflushed based upon how many gallons has passed through the filter. Filter flush water is sent to the sewer.

## Makeup Water

If the Rainwater tank is empty, makeup water is added to the tank through an air-gap backflow preventer to maintain a minimum water level for the pump.

## Water Monitoring

Water meters track rainwater and makeup water used by the system with the information displayed on the controller's screen. The flow rate is also displayed when water is being used.

## Technical Details

Backflow Preventer:	Air-gap
Makeup Water Supply:	1.25" supply, 30 PSI static min.
Electrical Supply:	120VAC 15A circuit
Drain for Filterflush:	3" drain pipe
Maximum Drip Zone Size:	15 GPM
Maximum # of Zones:	unlimited

Supply to Irrigation:	15GPM@ 45PSI
Tank Storage Capacity:	1.8K – 100K gallons
Rainwater Filtration:	100-microns
Maintenance Interval:	once per year
CA code compliant:	Yes
Pump:	½ HP, 120vac@ 10.6A
Controller:	120vac@ 1A
Warranty:	1 year

